



Technical data

Voltage	U	230/400	V
Phase		3	~
Frequency		50	Hz
Speed		905	RPM
Power consumption	P _e	560	W
Nominal current	I	2.1/1.2	A
Maximum current	I	2.5/1.5	A
Capacitor		-	μF
Ambient temperature	T _{amb min/max}	-25...40	°C
Insulation Class		CLF	
IP Class Fan		IP55	
Sound pressure level at 2 m	L _p	65	dB(A)
Weight		21.4	kg
Packing dimensions		800x790x395	mm

Fan details

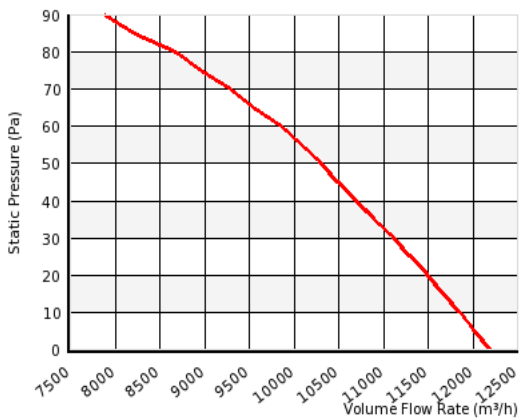
Impeller blades	5
Impeller type	5
Impeller system	G
Impeller material	PG

Control options

Triac controller	No
Transformer	Yes
Frequency drive	Yes
Intelligent Fan Drive	Yes

Characteristics

0 Pa 12200 m³/h
 50 Pa 10300 m³/h



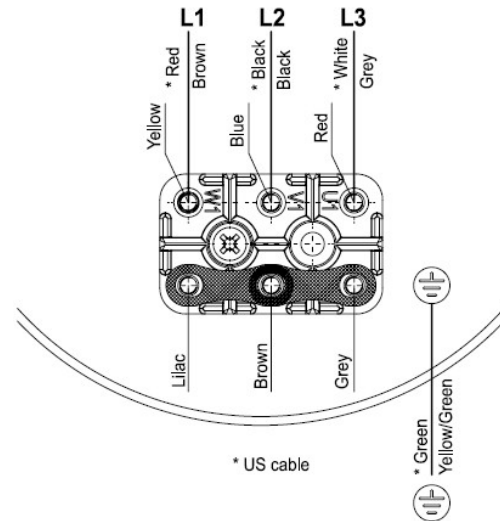
Please note: Picture may deviate from original product

Approval(s)

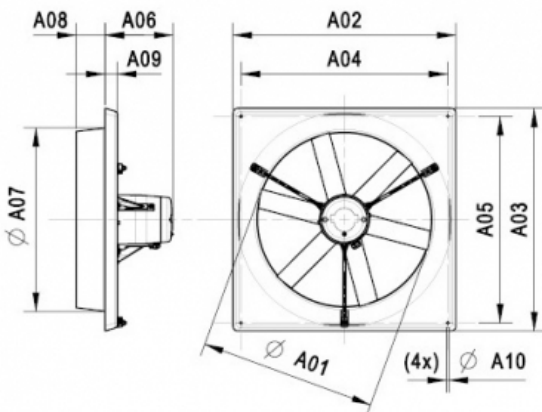


Wiring diagram - Fan

AB01 - 3 Phase - Star connected - CCW



Dimensions



- A01: 646 mm
- A02: 775 mm
- A03: 775 mm
- A04: 715 mm
- A05: 715 mm
- A06: 247 mm
- A07: 670 mm
- A08: 105 mm
- A09: 40 mm
- A10: 10 mm